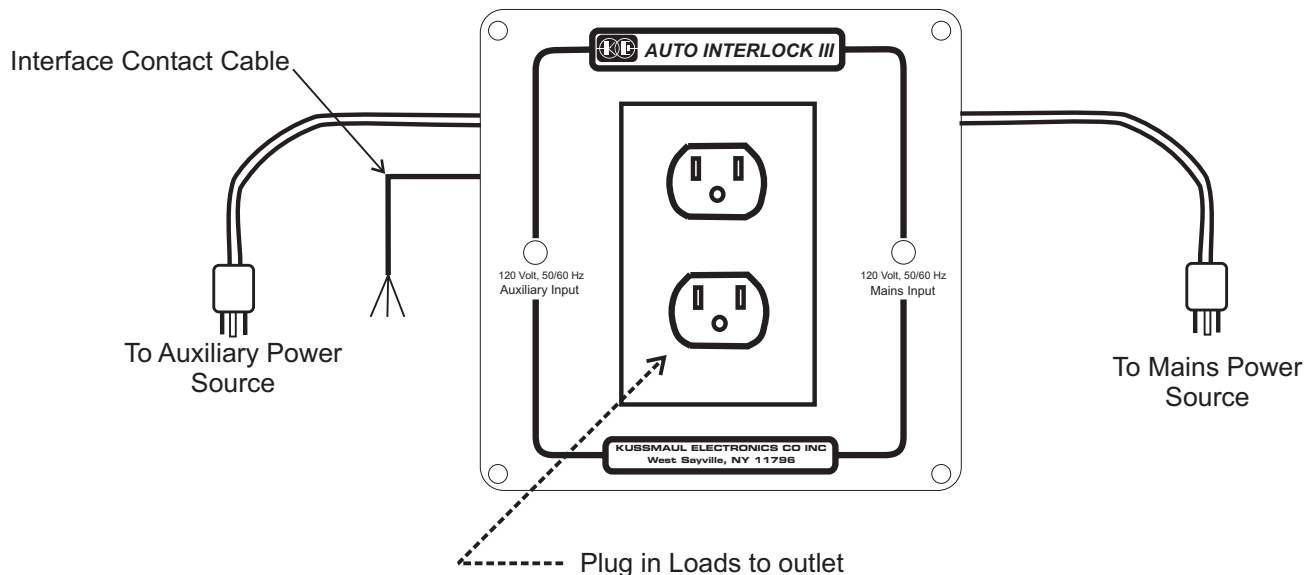


INSTALLATION INSTRUCTIONS

Model 091-134A

AUTO INTERLOCK III with Interface Contacts



The Model 091-134A AUTO INTERLOCK III is an automatic power transfer relay designed to switch a load from the normal power source to an auxiliary generator. As soon as the voltage from the mains line is lost, the relay is de-energized and the output is disconnected from the Main Input and connected to the Auxiliary Input. As soon as the mains line is activated, the relay is energized and the load is reconnected to the Main Input.

The Interface Contact option enables external monitoring and or external control of Mains, Auxiliary inputs or loads via internal relay contacts/wire colors as follows:
COMMON: Yellow/Green, NORMALLY OPEN=BROWN, NORMALLY CLOSED=BLUE
Mains Input=OFF (Loads Aux. Input Enabled): Yellow/Green makes BLUE
Mains Input=ON (Loads Main Input Enabled): Yellow/Green makes BROWN
Refer to Specifications for internal relay contact rating

NOTE: This device contains no fuses or circuit protection devices. User please be certain that these are provided in the power source

SPECIFICATIONS:

Voltage: 120 volts, 50/60 Hz
Current: 15 amperes
Relay Contact Rating: 30 amperes, A.C.
Interface Contacts (all):
5A, 250VAC
5A, 30VDC
Interface Contact Wiring: AWG 16 (all)



SINCE 1967, DESIGNERS OF INNOVATIVE PRODUCTS

KUSSMAUL ELECTRONICS COMPANY, INC.

170 CHERRY AVENUE, WEST SAYVILLE, NEW YORK, 11796-1221 USA

TEL. In NY: 631 567-0314

TOLL FREE: 800 346-0857

FAX: 631 567-5826