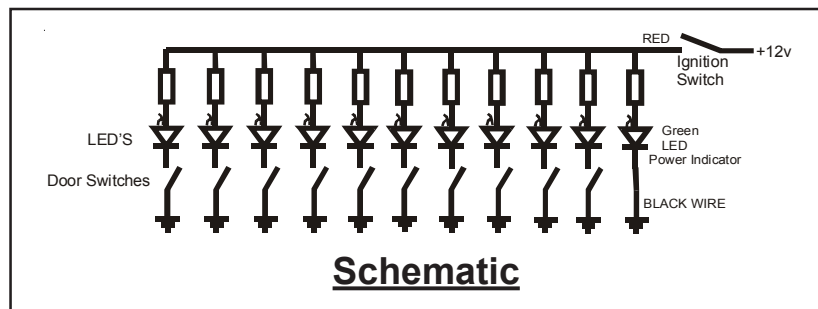
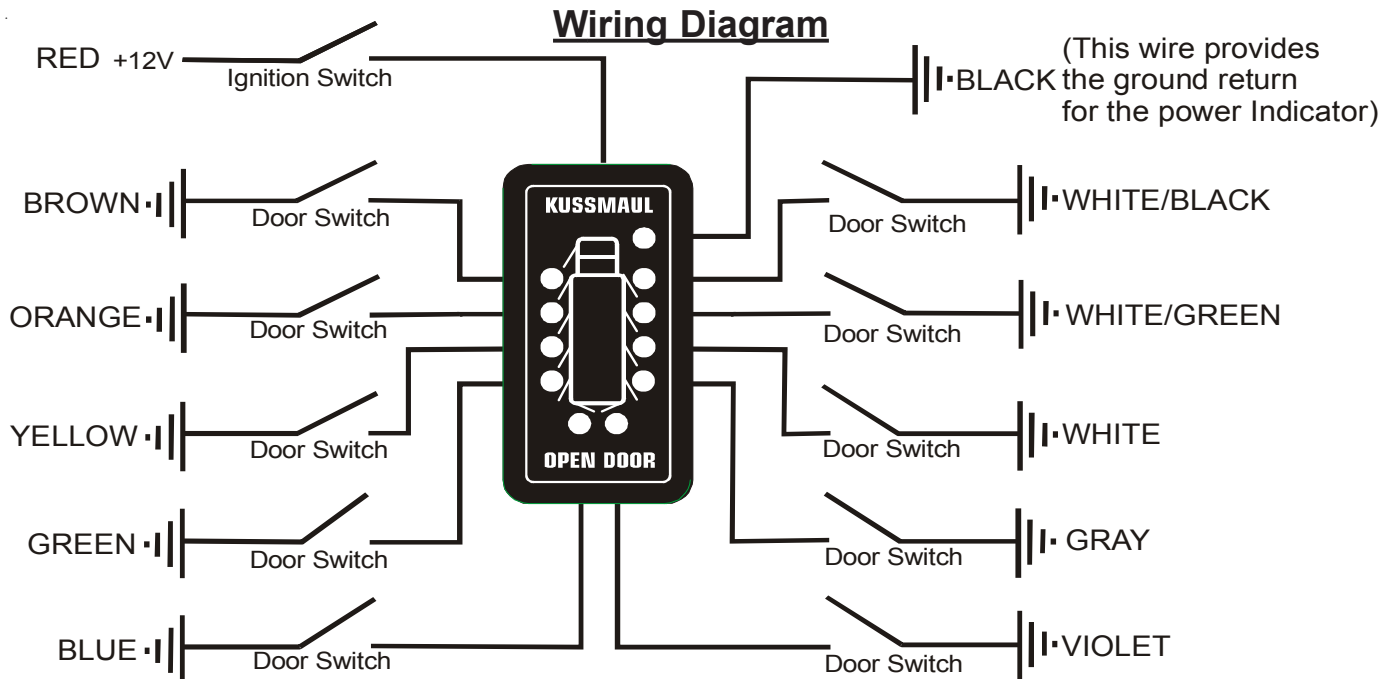


INSTALLATION INSTRUCTIONS

Model 091-178-10, 10 LED Open Door Display

The Model 091-178-10 Open Door Display provides a graphic representation of doors that are either open or ajar. One LED is wired to a switch at each compartment door. When the compartment or door is opened, the switch provides an electrical path to ground to illuminate an LED. Simple and easily installed the display enhances safety and ensures that the operator will not drive away with an open door. Note that these instructions are for a display without an alarm. For installations requiring an alarm use Model 091-178-10A.



1. Mount indicator assembly in desired location.
2. Connect the RED wire to +12V through the ignition switch so that the display will be OFF when the engine is not running. Alternatively, the RED wire may be connected to a constant 12V source to have the display continuously energized.
3. Connect the BLACK wire to GROUND in order to energize the GREEN power indicator.
4. Connect the individual LED's to the door switches as illustrated in the Wiring Diagram.



SINCE 1967, DESIGNERS OF INNOVATIVE PRODUCTS

KUSSMAUL ELECTRONICS COMPANY, INC.

170 CHERRY AVENUE, WEST SAYVILLE, NEW YORK, 11796-1221 USA

Phone: (631)567-0314, Toll Free: 800-346-0857, Fax: (631) 567-5826, E-Mail: sales@kussmaul.com, Web: www.kussmaul.com