

AUTO CHARGE STATUS CENTER

UNIVERSAL BATTERY STATUS INDICATOR



MODEL # 091-189-12

The Auto Charge Status Center is a universal indicator that works with all Kussmaul Electronics Battery Chargers as well as indicating voltage on vehicles without a charger. The indicator reads battery voltage and indicates the condition of the battery via LED's: Hi voltage, fully charged, Charging and Low voltage. The Hi voltage and low voltage LED's blink to indicate that there may be a problem with the vehicles electrical system. In addition to the LED status indicators, a 3-digit indicator displays the battery voltage with an accuracy of 100 millivolts.

The unit is designed to be mounted on the outside of a vehicle so as to readily indicate the battery condition. The indicator fits Kussmaul standard indicator panel cut outs and comes with a 3 year warranty.

LEDS INDICATE STATUS OF BATTERY CONDITION

3 DIGIT DISPLAY SHOWS BATTERY VOLTAGE

WATERPROOF ENCLOSURE

LED FLASHES WHEN LOW OR HIGH VOLTAGE IS REACHED

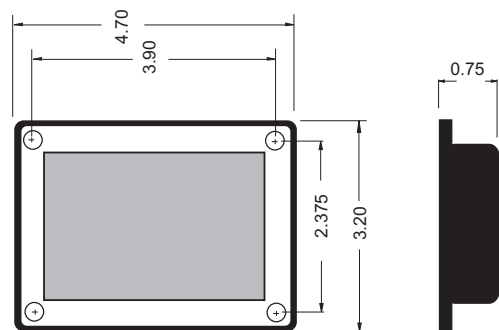
3 YEAR WARRANTY

OPTIONAL INDICATOR SEAL

This is a optional rubber water tight seal designed to seal and protect the rear of the indicator.



Model # 091-39-109



OUTLINE DRAWING

KUSSMAUL
ELECTRONICS CO., INC.

170 CHERRY AVENUE WEST SAYVILLE, NY 11796-1221, TEL: 631-567-0314, FAX: 631-567-5826,
TOLLFREE 800-346-0857, WORLD WIDE WEB: <http://www.kussmaul.com> E-MAIL: sales@kussmaul.com