

# INSTALLATION INSTRUCTIONS

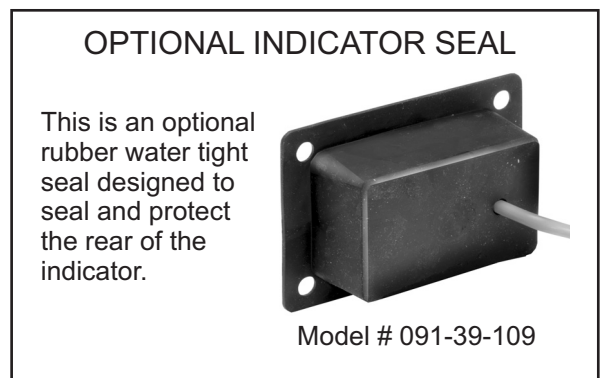
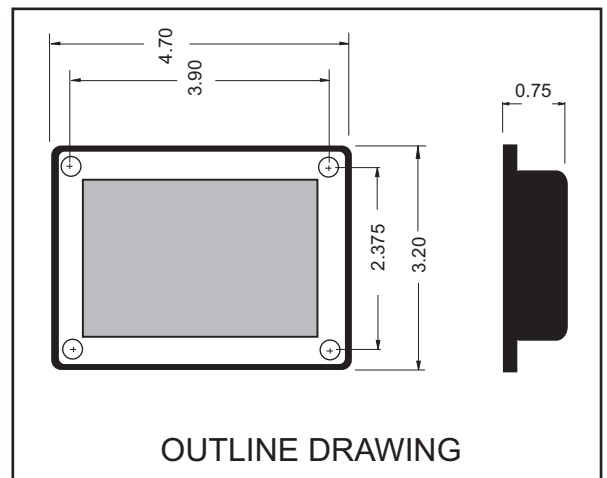
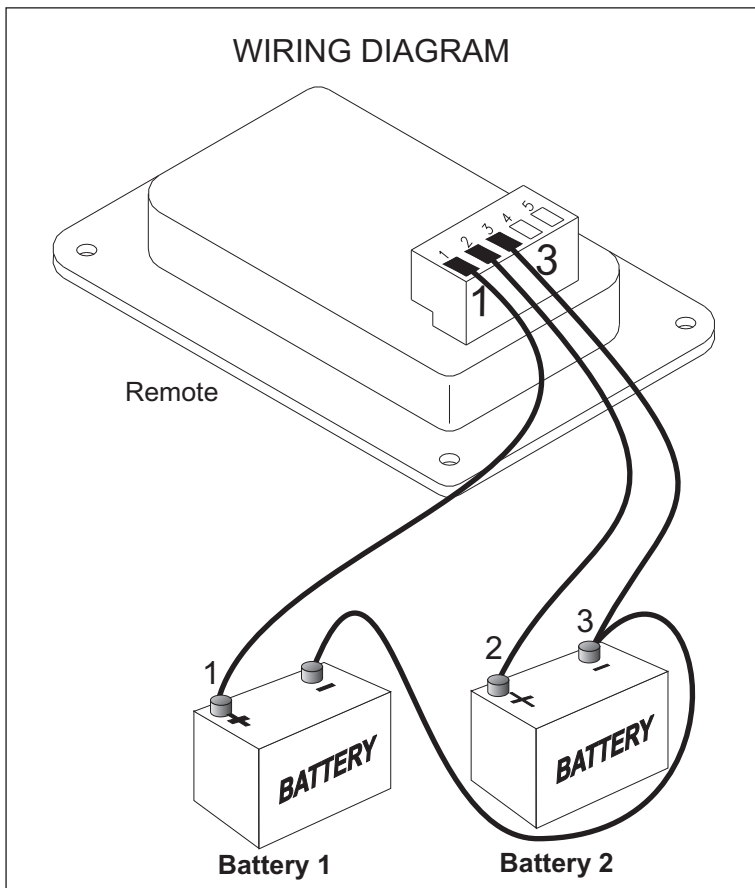
## AUTO CHARGE DUAL STATUS CENTER

### 12 VOLT DUAL UNIVERSAL BATTERY STATUS INDICATOR

**MODEL # 091-189-2-12**

The Auto Charge Dual Status Center is a universal dual indicator that indicates the battery voltage on vehicles with dual battery systems. The indicator displays battery voltage alternately on one battery and then the other. Separate LED indicators display battery status; namely, HI VOLTAGE, FULLY CHARGED, CHARGING and LOW VOLTAGE. The digital display is accurate to 100 millivolts and draws a maximum of 35 milliamperes from the battery.

The unit is designed to be mounted on the exterior of a vehicle so as to readily indicate the battery condition. The indicator fits the Kussmaul standard indicator panel cut outs and comes with a 3 year warranty.



**CAUTION:** Battery polarity critical reversal of polarity may cause damage to indicator



SINCE 1967, DESIGNERS OF INNOVATIVE PRODUCTS

**KUSSMAUL ELECTRONICS COMPANY, INC.**

170 CHERRY AVENUE, WEST SAYVILLE, NY 11796, TEL: 631-567-0314, FAX: 631-567-5826, E-MAIL: sales@kussmaul.com