

INSTALLATION INSTRUCTIONS

AUTO CHARGE STATUS CENTER

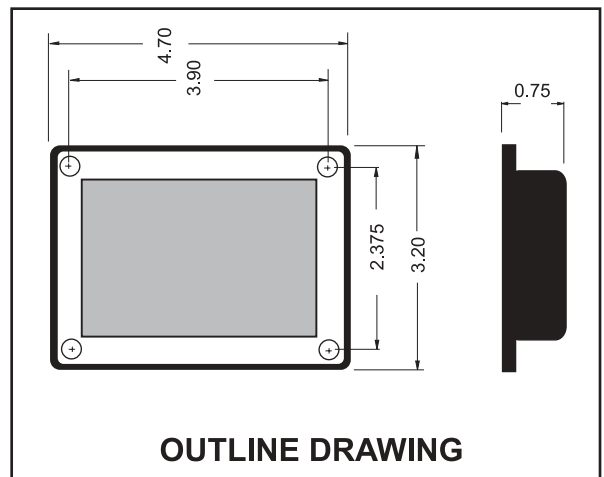
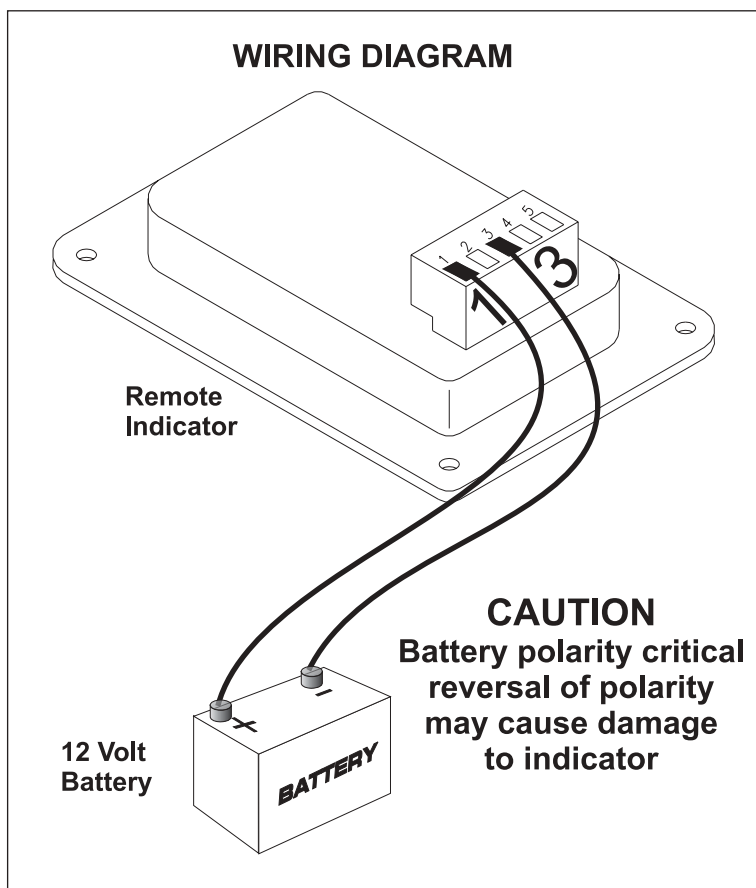
12 VOLT UNIVERSAL BATTERY STATUS INDICATOR

MODEL # 091-189-12

The Auto Charge Status Center is a universal indicator that works with all Kussmaul Electronics Battery Chargers as well as indicating voltage on vehicles without a charger. The indicator reads battery voltage and indicates the condition of the battery via LED's: Hi voltage, fully charged, Charging and Low voltage. The Hi voltage and low voltage LED's blink to indicate that there may be a problem with the vehicles electrical system. In addition to the LED status indicators, a 3-digit indicator displays the battery voltage with an accuracy of 100 millivolts. Current draw from the battery is 30 milliamps.

The unit is designed to be mounted on the outside of a vehicle so as to readily indicate the battery condition. The indicator fits Kussmaul standard indicator panel cut outs and comes with a 3 year warranty.

WIRING DIAGRAM



OPTIONAL INDICATOR SEAL

This is an optional rubber water tight seal designed to seal and protect the rear of the indicator.



Model # 091-39-109



SINCE 1967, DESIGNERS OF INNOVATIVE PRODUCTS

KUSSMAUL ELECTRONICS COMPANY, INC.

170 CHERRY AVENUE, WEST SAYVILLE, NY 11796, TEL: 631-567-0314, FAX: 631-567-5826, E-MAIL: sales@kussmaul.com