

## INSTRUCTION MANUAL

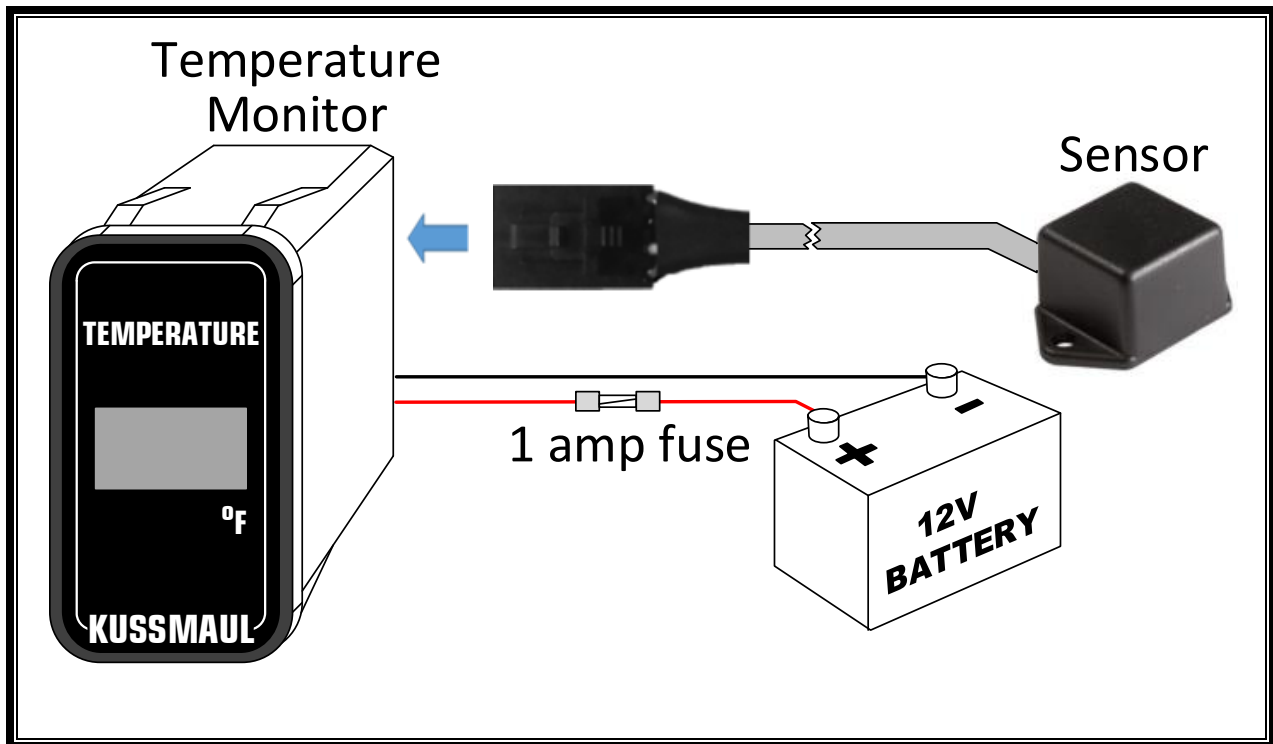
# TEMPERATURE MONITOR

## MONITORS TEMPERATURE

The 091-224 Temperature Monitor is a temperature monitor designed to fit into a standard 1.45" x 0.83" panel cut-out.

### Installation Instructions:

- Mount the Sensor away from air drafts and splashing water.
- Connect the Sensor Assembly Cable to the Temperature Monitor.
- Connect the red wire to 12V Accessory using a 1 amp fuse.
- Connect the black wire to chassis ground (battery negative).



## MODEL # 091-224

INPUT: 11 to 16V<sub>DC</sub>, 0.25A<sub>DC</sub>

TEMPERATURE RANGE: -50°F to +150°F

ACCURACY: ± 1.5°F at 72 °F, ± 5°F at -50°F to +150°F

File: IM 091-224 RevB.docx  
Rev: B  
Revised By: DP  
Date: 8/20/2014

3 YEAR WARRANTY

170 Cherry Avenue  
West Sayville, NY 11796  
[www.kussmaul.com](http://www.kussmaul.com)

**KE** **KUSSMAUL™**  
**ELECTRONICS**  
ENERGIZED AND READY, WHEN SECONDS COUNT

Ph: 800-346-0857  
Fax: 631-567-5826  
[sales@kussmaul.com](mailto:sales@kussmaul.com)