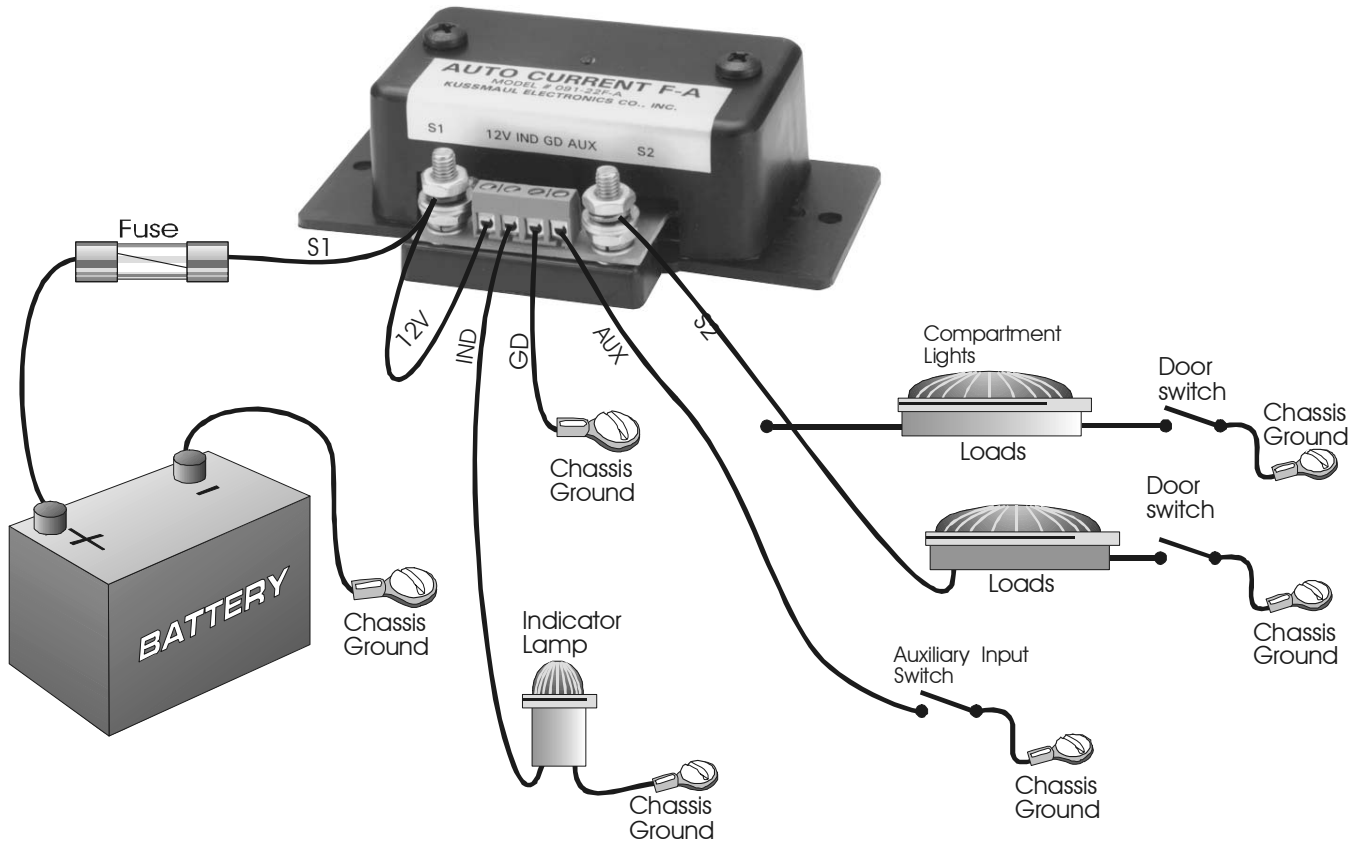


AUTO CURRENT F-A

D.C. CURRENT SENSOR WITH AUX. INPUT

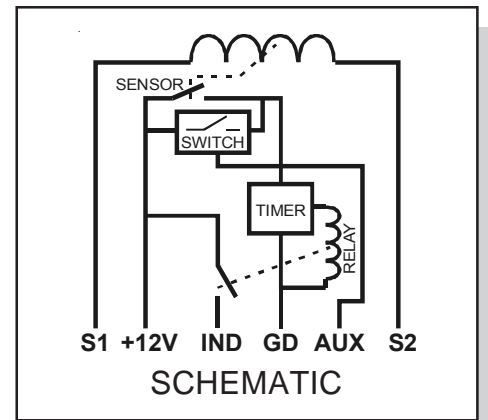
INSTALLATION INSTRUCTIONS



The Auto Current F-A detects current and closes a switch when the sensed current flows, to provide a remote indication. An electronic frasher interrupts the indicator output approximately once per second to provide a flashing indication.

An Auxiliary input permits operating the flasher from other grounding switches. Any number of switches may be connected in parallel to terminal 4 to operate the Indicator Lamp.

Warning Indicator is limited to 5 amperes maximum.



ORDERING INFORMATION

MODEL NUMBER	RESIST OHMS	MIN. OPER. AMPS	MAX. OPER. AMPS	SWITCH RATING 12V
091-22F-A	.01	1.0	30	5 AMP
091-22F-A-6	.2	0.10	4	5 AMP



KUSSMAUL ELECTRONICS CO., INC.

170 CHERRY AVE., WEST SAYVILLE, N.Y. 11796

TEL: in NY 631-567-0314

TOLL FREE: 800-346-0857

FAX: 631-567-5826