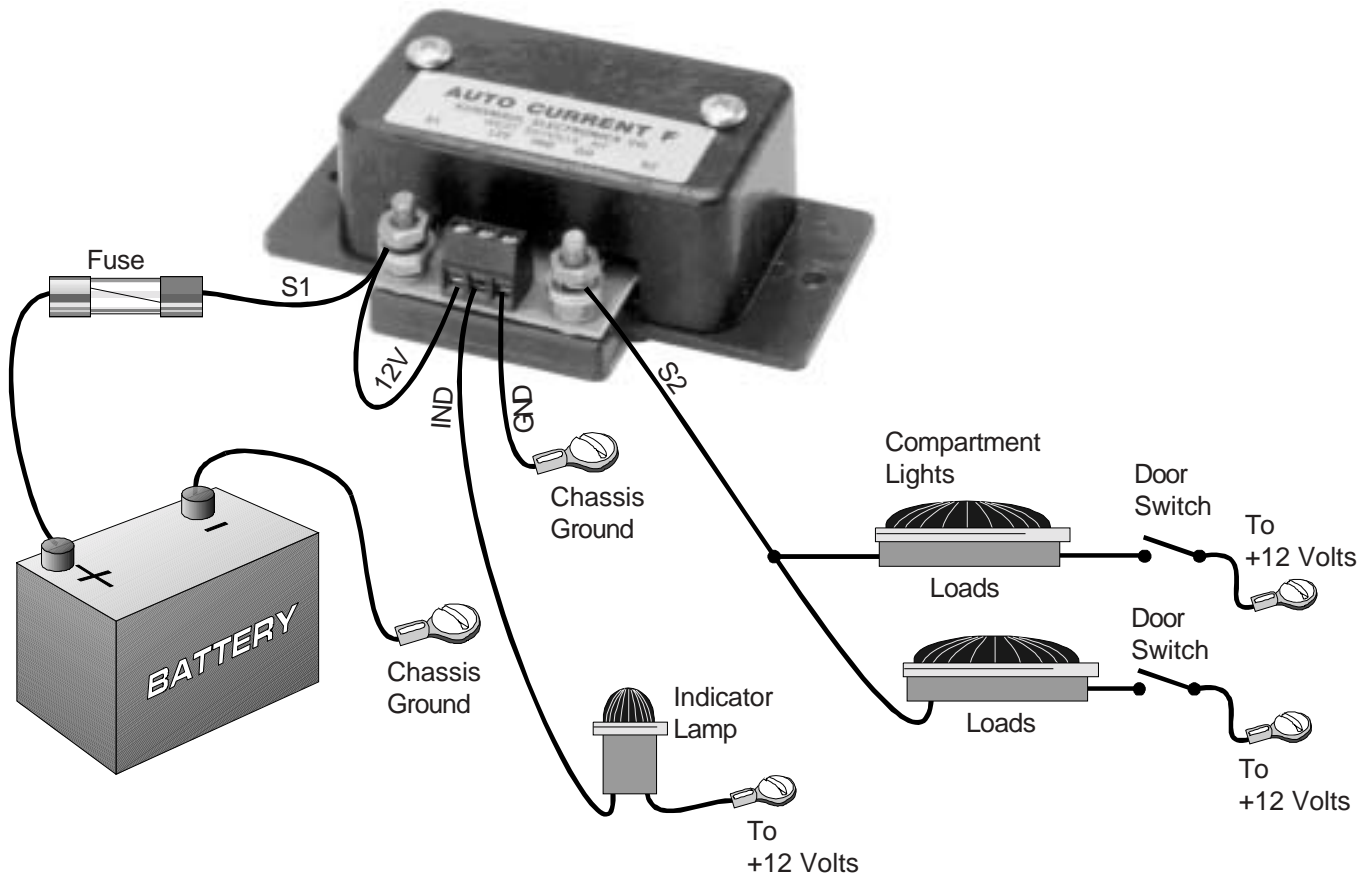


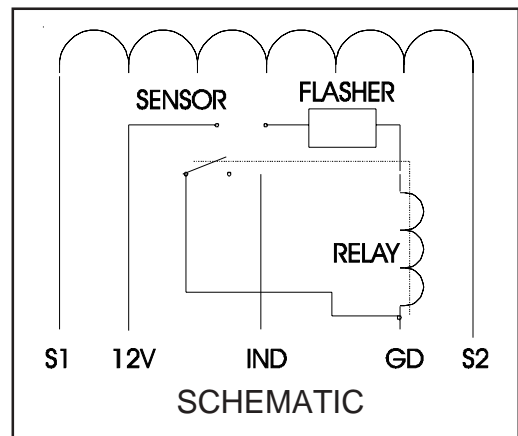
AUTO CURRENT-F-G

D.C. CURRENT SENSOR INSTALLATION INSTRUCTIONS



The Auto Current F - G detects current and closes a switch when the sensed current flows to provide a remote indication. An electronic flasher interrupts the indicator output approximately once per second to provide a flashing indication.

Designed for applications where a remote indicator must be illuminated when one or more lights or other loads are energized. By detecting load current any one, or more than one lamp, or other load will cause the indicator to light. The indicator circuit contains a relay which is operated by the sensor and flashing circuit. Indicator currents as high as 5 amperes may be driven by the relay.



| ORDERING INFORMATION | | | | |
|----------------------|-------------|-----------------|-----------------|-------------------|
| MODEL NUMBER | RESIST OHMS | MIN. OPER. AMPS | MAX. OPER. AMPS | SWITCH RATING 12V |
| 091-22F-G-2 | .01 | 1.0 | 30 | 5 AMP |
| 091-22F-G-3 | .01 | .50 | 30 | 5 AMP |
| 091-22F-G-5 | .02 | .25 | 10 | 5 AMP |



KUSSMAUL ELECTRONICS CO., INC.
170 CHERRY AVE., WEST SAYVILLE, N.Y. 11796

TEL: in NY 631-567-0314

TOLL FREE: 800-346-0857

FAX: 631-567-5826

October 19, 2006