

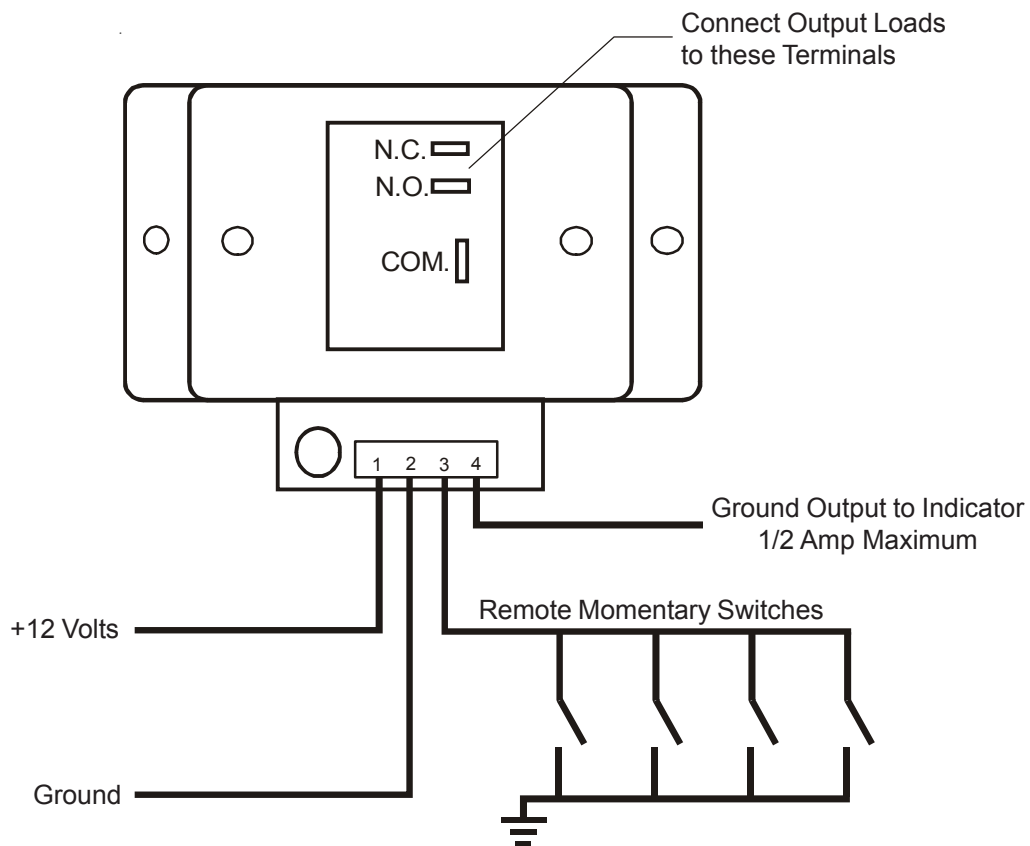
Installation Instructions

Alternate Action Relay

Model # 091-98-12

The Model 091-98-12 Alternate Action Relay is a 30 ampere contact, single pole, double throw relay whose state can be switched by momentarily grounding an input terminal. Any number of switches may be connected to the input. When any one of the switches is grounded the relay changes state. An LED indicator adjacent to the terminal strip indicates that the relay is energized. Provision has been made to either automatically reset the relay to the "OFF" state by removing the input power or maintaining the last state when a system is shut down. If the last used state is to be remembered, the relay +12V must be connected directly to the vehicle's battery.

Typical Installation:



Note: To retain relay position memory connect +12 Volts directly to the battery.
To reset relay on startup, connect +12 Volts downstream of master switch.
LED Illuminates when output relay is energized.



SINCE 1967, DESIGNERS OF INNOVATIVE PRODUCTS

KUSSMAUL ELECTRONICS COMPANY, INC.

170 CHERRY AVENUE, WEST SAYVILLE, NEW YORK, 11796-1221 USA TEL: 631-567-0314, FAX: 631-567-5826,