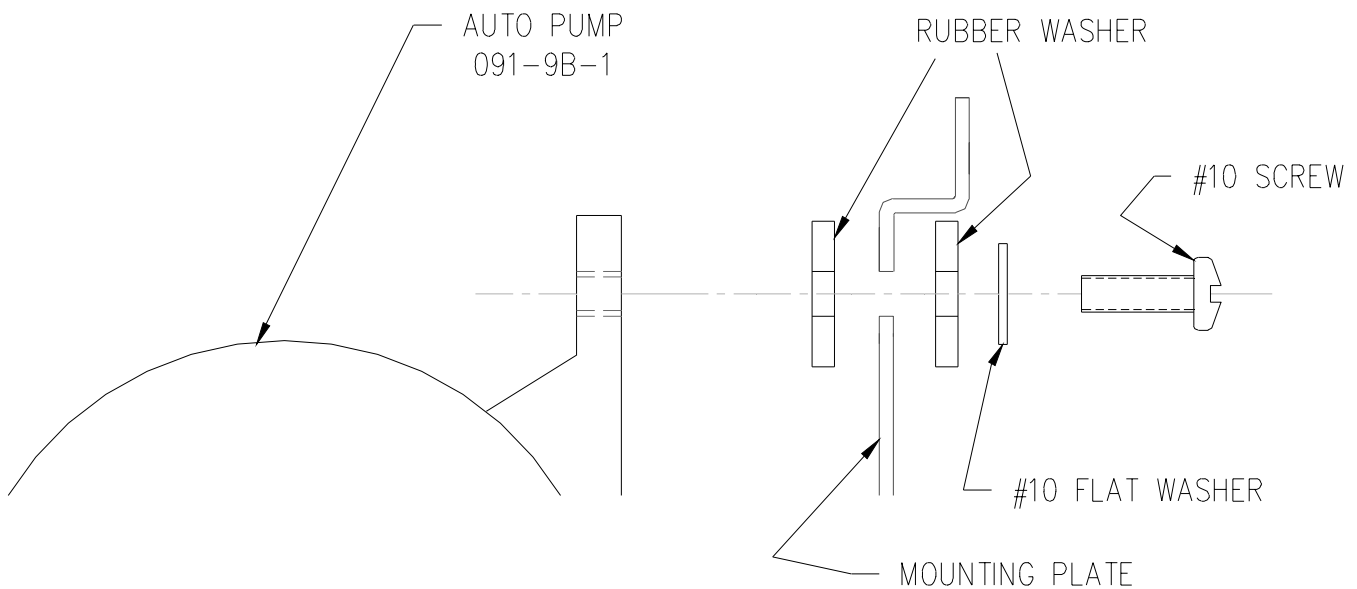


INSTRUCTIONS

AUTO PUMP MOUNTING PLATE

MODEL #091-9H-1

1. Mount Auto Pump to Mounting plate.
 - A. Place #10 screw and flat washer though rubber washers as shown.
 - B. Tighten screw into Auto Pump as shown.
 - C. Mount assembly to chassis
2. To mount Auto Pump assembly see your Auto Pump instructions book.



KUSSMAUL ELECTRONICS CO., INC.
170 CHERRY AVE., WEST SAYVILLE, N.Y. 11796

TEL: in NY 631-567-0314

TOLL FREE: 800-346-0857

FAX: 631-567-5826