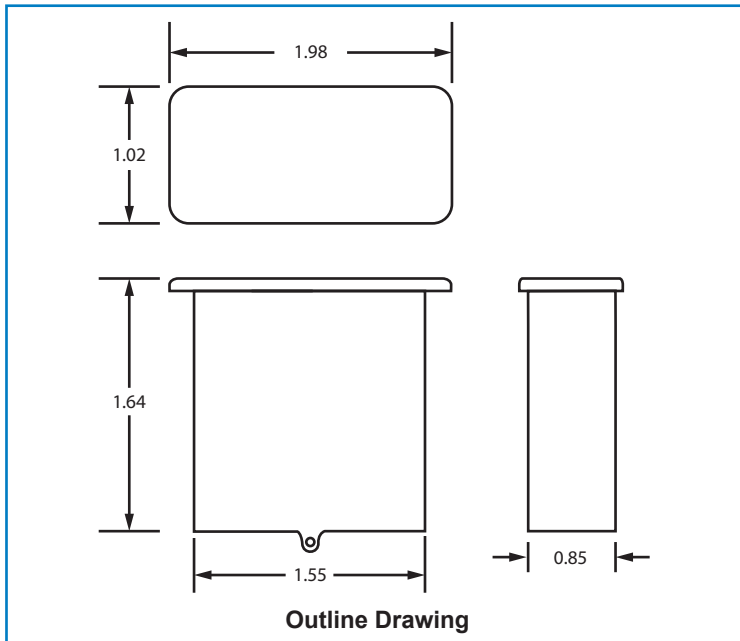


USB Dual Port NGR

Dual USB Charging Port

Features

- Quick and easy way to recharge electronic devices in a vehicle
- 3 Amps max output allows charging of both an iPad and iPhone at the same time
- Built-In LED Indicator indicates device is powered
- Designed for easy installation in vehicle switch panels
- Reverse polarity protected
- Can be connected to 12V switched ignition or directly to battery
- 3 year warranty



Specifications: USB Dual Port NGR

Input Voltage: 8 to 18 VDC
(6 to 20 VDC absolute min./max.)

Input Current: 1.5 Amps at 12.0 VDC
Input (with 3 Amp Load)

Output Voltage: 4.8 to 5.2 VDC
(0 to 3 Amp load)

Output Current: 3.1 Amps (maximum)

Indicator: Device Powered Red LED

Warranty: 3 years



Part Number	Description	Electrical Data		Dimensions			Wgt.
		DC Volts	DC Amps	L	W	D	
091-219-N	USB Dual Port NGR	5	3	1.98"	1.02"	1.64"	.1 lbs