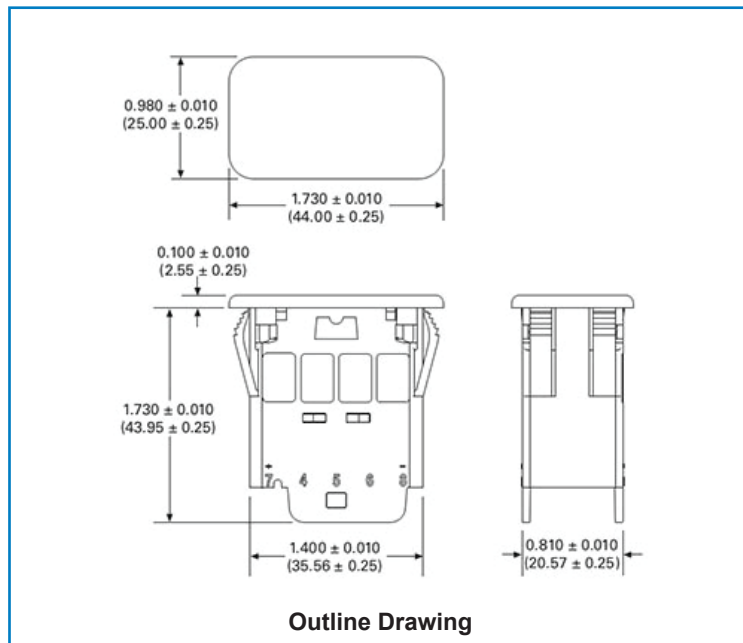


# Bluetooth Module

## Wireless Connection To Cellphone

### Features

- Provides a **fully integrated solution** for delivering **high quality stereo** audio in a **small form** factor
- Fully certified Bluetooth version 3.0 audio module, fully compatible with Bluetooth version 2.1+EDR, 1.2, and 1.1
- **Dual-channel**, differential audio output for **highest quality audio**
- **FCC Certification**
- Bluetooth **SIG Certified**
- Operation Range is 10 meters (**33 feet**)
- Designed for **easy installation in vehicle switch panels**
- Profiles include HSP/HFP, A2DP, AVRCP, SPP, and iAP
- **Easy connection** to 12V switched ignition
- **3 year warranty**



### Specifications: Bluetooth Module

**Input Voltage:** 11-30 vDC

**Input Current:** 0.25 aDC

**Cutout Size:** 1.45" x 0.83"

**Bluetooth Specification:** Bluetooth v3.0

**Supported Audio Codecs:** SBC and apt-X

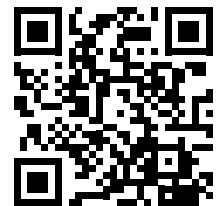
**Operating Distance:** 10 meters Class II

**Audio Connector:** 3.5mm, 4 position, Female

**Audio Splitter Length:** 8.5"

**Audio Cable Length:** 6' 6"

**Warranty:** 3 Years



Part Number	Description	Electrical Data		Dimensions			Wgt.
		DC Volts	DC Amps	L	W	D	
091-226	Bluetooth Module	11-30	0.25	1.73"	0.98"	1.73"	0.5 lbs