

INSTALLATION INSTRUCTIONS

AUTO CHARGE STATUS CENTER

12 VOLT UNIVERSAL PRECISION BATTERY STATUS INDICATOR

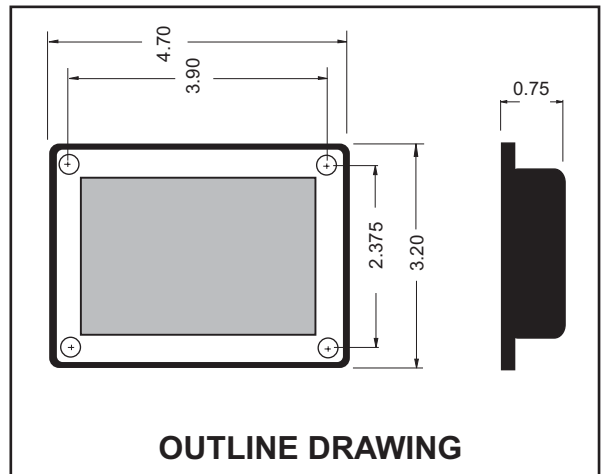
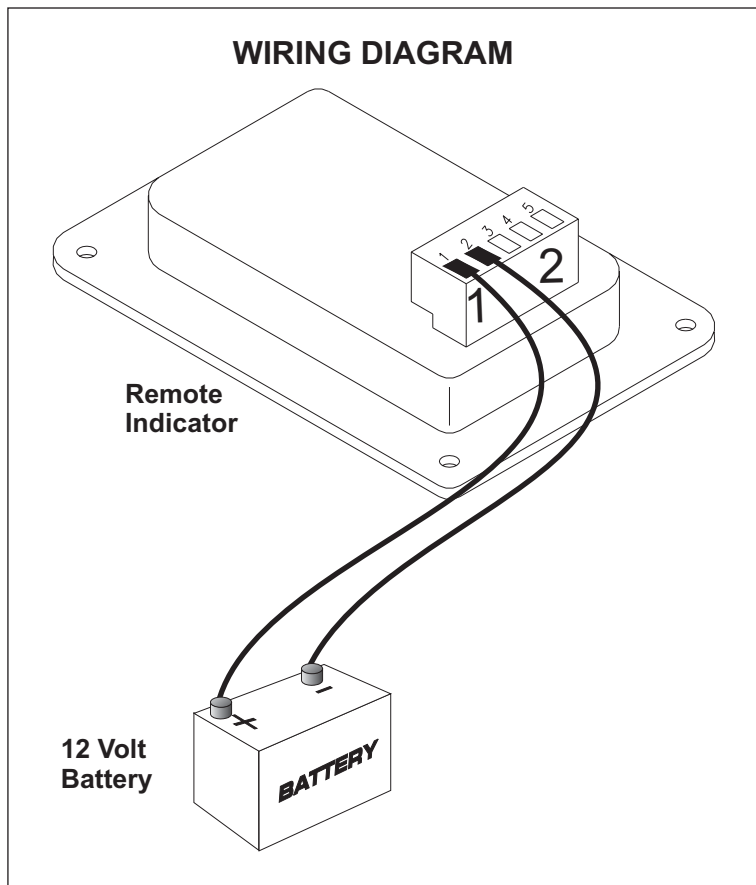
MODEL # 091-189-12-3.5D

The AUTO CHARGE PRECISION STATUS CENTER is a universal indicator for vehicles with a single battery system. The unit indicates battery voltage and displays the condition of the battery via LED's: HI VOLTAGE, FULLY CHARGED, CHARGING and LOW VOLTAGE.

In addition to the LED status indicators, a 3 ½-digit indicator displays the battery voltage with an accuracy of 30 millivolts and has a current draw of only 30 milliamps from the battery.

The unit is designed to be mounted on the outside of a vehicle so as to readily indicate the battery condition. The indicator fits the Kussmaul standard indicator panel cut outs, and comes with a 3-year warranty.

WIRING DIAGRAM



OPTIONAL INDICATOR SEAL

This is an optional rubber water tight seal designed to seal and protect the rear of the indicator.



Model # 091-39-109

CAUTION: Battery polarity critical, reversal of polarity may cause damage to indicator



SINCE 1967, DESIGNERS OF INNOVATIVE PRODUCTS

KUSSMAUL ELECTRONICS COMPANY, INC.

170 CHERRY AVENUE, WEST SAYVILLE, NY 11796, TEL: 631-567-0314, FAX: 631-567-5826, E-MAIL: sales@kussmaul.com