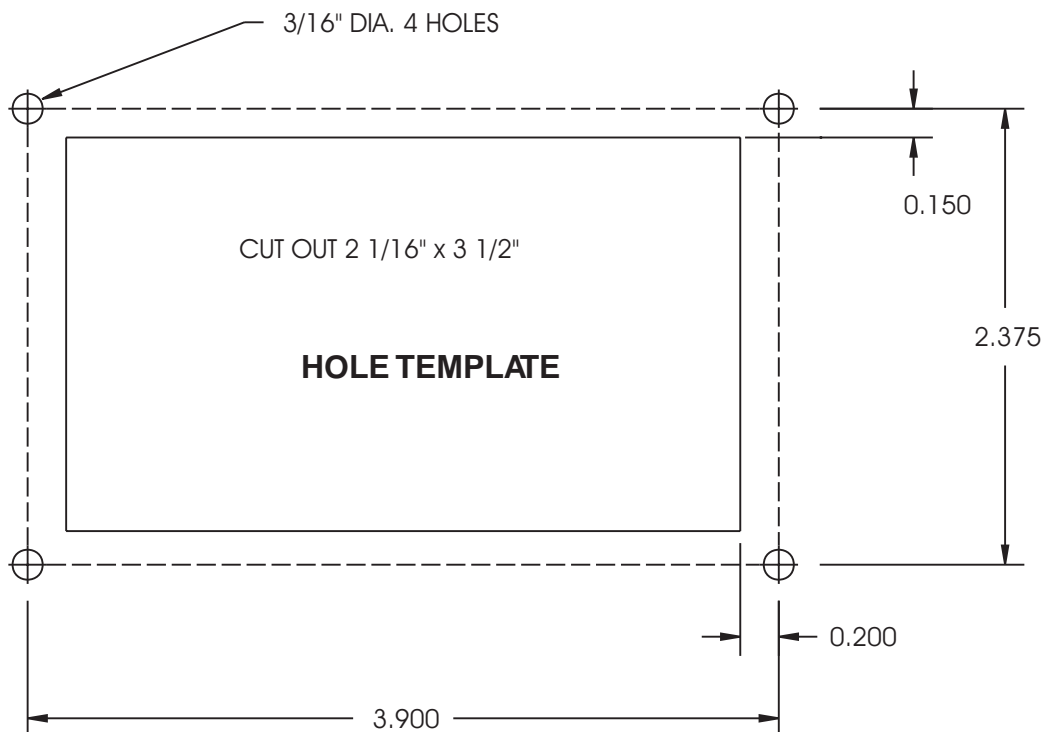
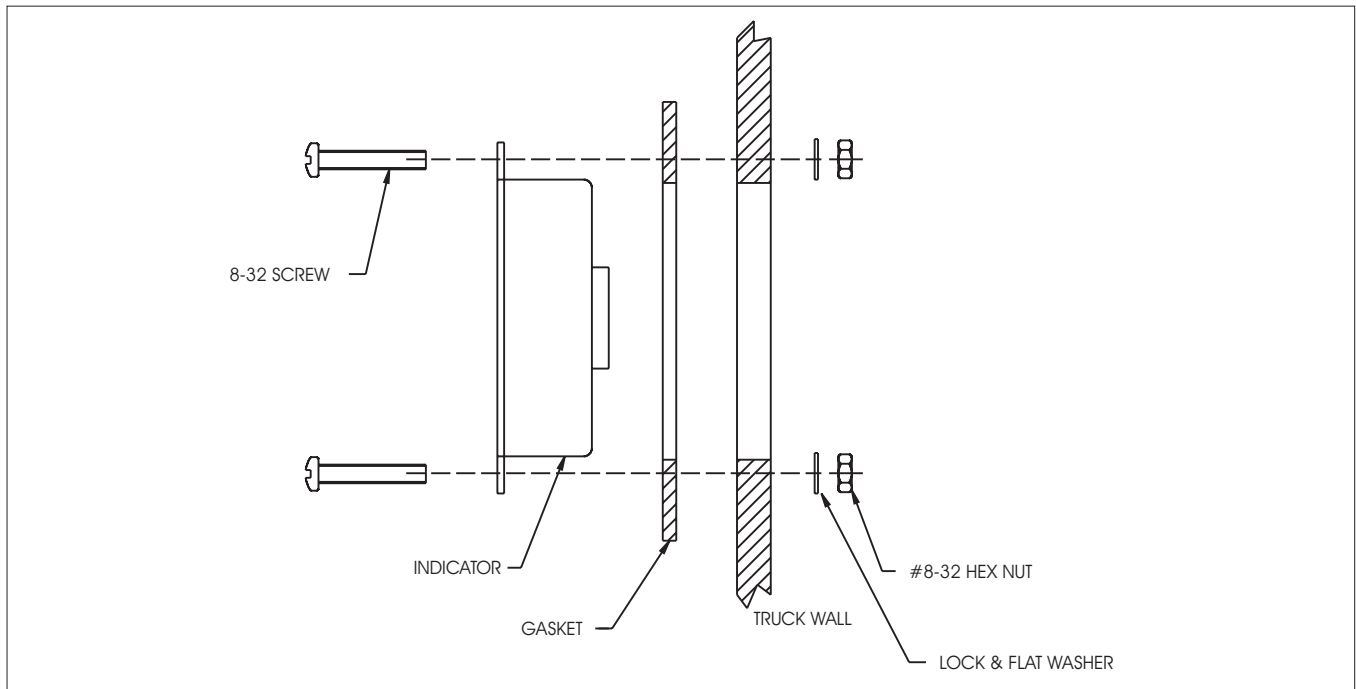
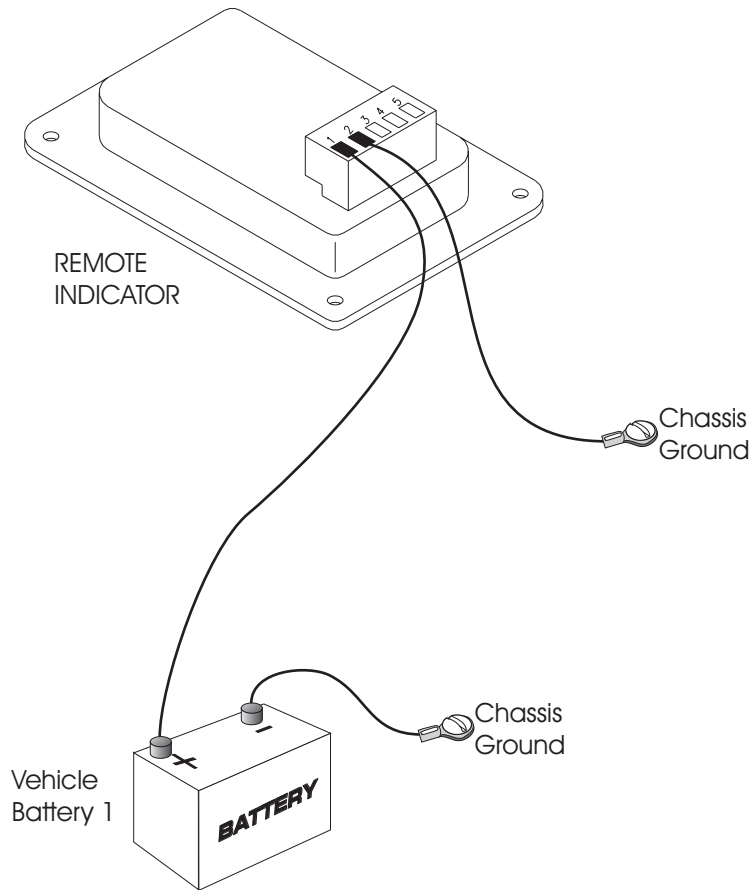


## INDICATOR INSTALLATION

1. Locate Indicator in a convenient place on the vehicle.
2. Place the template in position and center punch in 4 places.
3. Drill holes as shown.
5. Cut out square hole.
6. Connect wiring to charger using butt connector supplied.
7. Install as shown.
8. Insert (4) #8-32 screws supplied and tighten, (**CAUTION Do not over tighten because you will bend the plastic bezel and break the watertight seal.**)





SINGLE BARGRAPH DISPLAY  
MODEL # 091-94-XX



**KUSSMAUL ELECTRONICS CO., INC.**  
170 CHERRY AVE., WEST SAYVILLE, N.Y. 11796

TEL: IN NY 631-567-0314

TOLL FREE: 800-346-0857

FAX: 631-567-5826